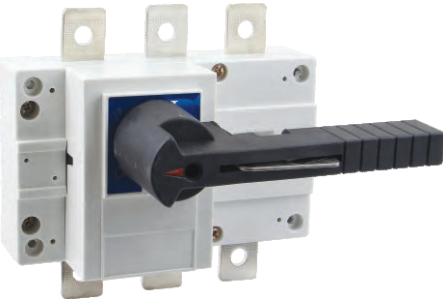


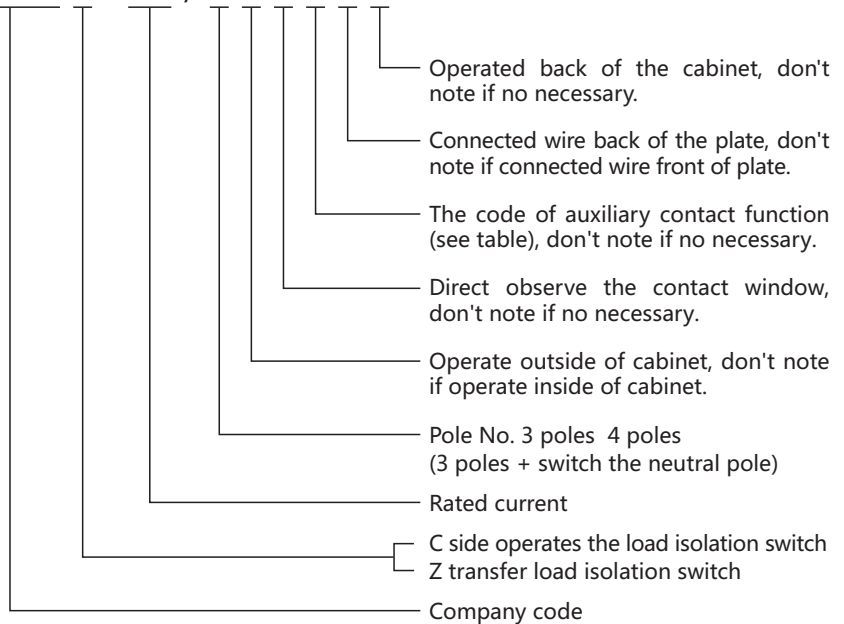
### Application

AC 50Hz, rated voltage 660V, DC rated voltage 440V, rated current 3150A. It is used for making and breaking circuit frequently.



### Model and meaning

WPHGL □ - □A / □ J K □ B H



One NO and one NC	11	NO+NC
Two NO and Two NC	22	2NO+2NC

Example for lecto type: Rated current 630A,include neutral pole transferring load isolation switch, WPHGLZ-630A/4J for operating outside of cabinet

### Service environment

1. WPHGL load-isolation switch can operate under the following conditions
2. Altitude not more than 2000m;
3. The range of ambient temperature is from 5°C to 40°C;
4. Relative humidity not more than 95%;
5. The environment without any explosive medium.
6. The environment without any rain or snow attacking.

If the product is expected to be used in the environment where temperature is over +40°C or below

-5°C-45°C, user's shall tell it to the manufacturer.

**Principal technical parameter**

Table 1

Conventional thermal current (A)			63A		100A		160A		250A	
Rated current In (A)			40	63	80	100	125	160	200	250
Rated insulation voltage Ui (V) (installation type IV)			690	690	690	690	690	690	690	690
Dielectric strength (V)			5000	5000	5000	5000	5000	5000	5000	5000
Rated surge-resistant voltage Uimp kV (installed category IV)			6	6	6	6	6	6	6	6
Rated working current Ie (A)	380V	AC-21B	40	63	80	80	125	160	200	250
		AC-22B	40	63	80	80	125	160	200	250
		AC-23B	40	50	80	80	125	160	200	250
	660V	AC-21B	40	50	80	80	125	160	200	250
		AC-22B	32	32	50	50	125	160	160	160
		AC-23B	25	25	40	40	80	80	100	125
Rated short-time withstand current Icw (kA Rms) 0.1s/1s			2	2	2	2	8	8	12	12
Rated breaking capability Icn (A Rms) AC23 380V			320	504	640	800	1000	1000	1600	1600
Rated making capability Icm (A Rms) AC23 380V			400	630	800	1000	1250	1600	2000	2500
Rated short-current making capability Icm (kA peak value)			2.84	2.84	2.84	2.84	13.6	13.6	17	17
Mechanical durability 380V			1700	1700	1700	1700	1400	1400	1400	1400
Electrical curability 380V			300	300	300	300	200	200	200	200

Table 2

Conventional thermal current (A)			630A				1600A				3150A			
Rated current In (A)			315	400	500	630	1000	1250	1600	2000	2500	3150		
Rated insulation voltage Ui (V) (installation type IV)			1000	1000	1000	1000	1000	1000	1000	1000	1000	1000		
Dielectric strength (V)			8000	8000	8000	8000	10000	10000	10000	10000	10000	10000		
Rated surge-resistant voltage Uimp kV (installed category IV)			6	6	6	6	6	6	6	6	6	6		
Rated working current Ie (A)	380V	AC-21B	315	400	500	630	1000	1250	1600	2000	2500	3150		
		AC-22B	315	400	500	630	1000	1250	1600	2000	2500	3150		
		AC-23B	315	400	500	630								
	660V	AC-21B	315	400	400	500	1000	1000	1600	2000	2500	2500		
		AC-22B	315	315	315	315	800	800	800	1000	1250	1600		
		AC-23B												
Rated short-time withstand current Icw (kA Rms) 0.1s/1s			25	25	25	25	50	50	50	50	50	50		
Rated breaking capability Icn (A Rms) AC23 380V			2520	3200	4000	5040	3000	3750	4800	6000	7500	9450		
Rated making capability Icm (A Rms) AC23 380V			3150	4000	5000	6300	3000	3750	4800	6000	7500	9450		
Rated short-current making capability Icm (kA peak value)			40	40	40	40	70	70	70	105	105	105		
Mechanical durability 380V			800	800	800	800	500	500	500	300	300	300		
Electrical curability 380V			200	200	200	200	100	100	100	100	100	100		

**Conformed standard**

International standard

IEC60947-1(1998) 《Low-voltage switchgear and controlgear, part one: General Rules》.

IEC60947-3(1999) 《Low-voltage switchgear and controlgear, switches, disconnectors, switch-disconnectors and fuse-combination units》.

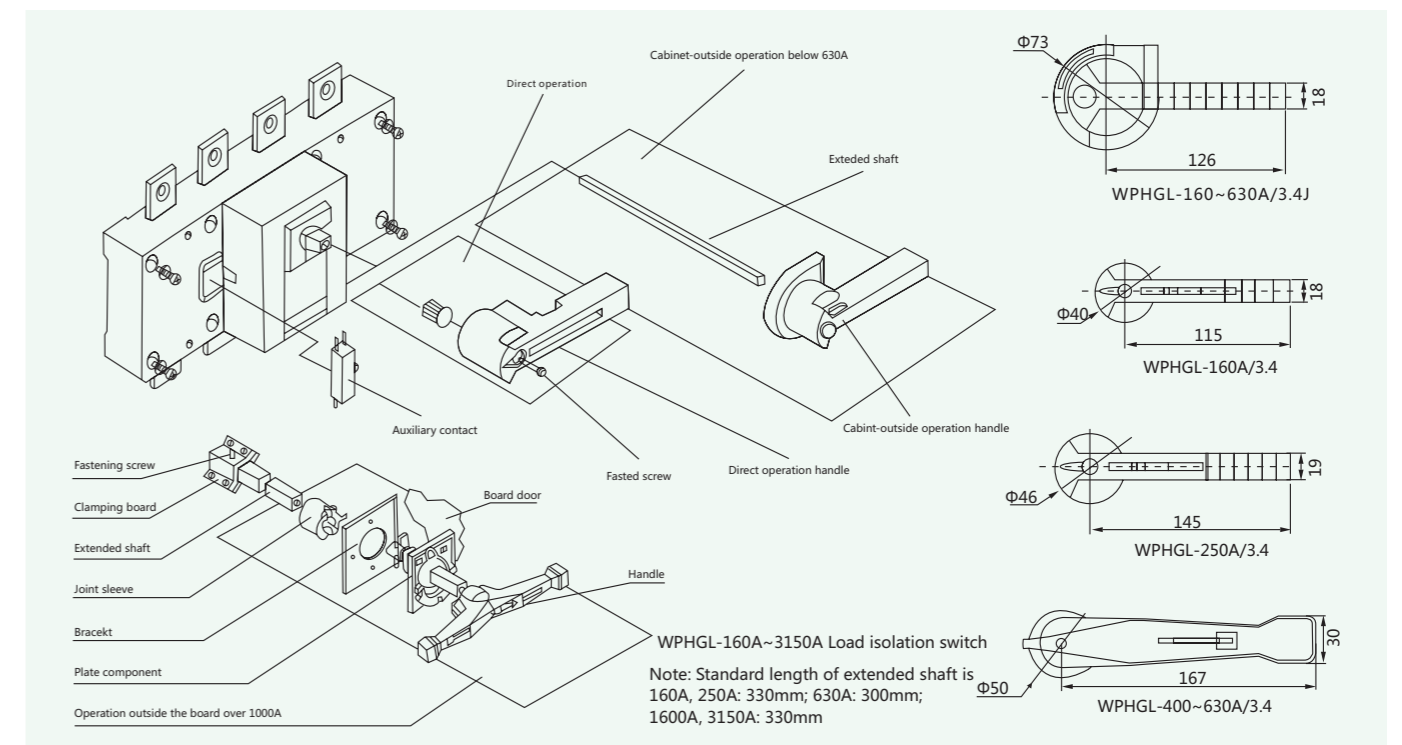
**Load isolation switch of WPHGL-63~3150A**

7 specifications of HGL load isolation switch from 63A to 3150A: Basic model of modularized design,3 poles,4 poles (3 poles+on and off neutral pole).It is suitable for the making and breaking operation of electric dircuit or electric isolation.Switches over 1000A are only suitable for electric isolation.

Mark window is set in the front side to indicate the on and off state of the contact.

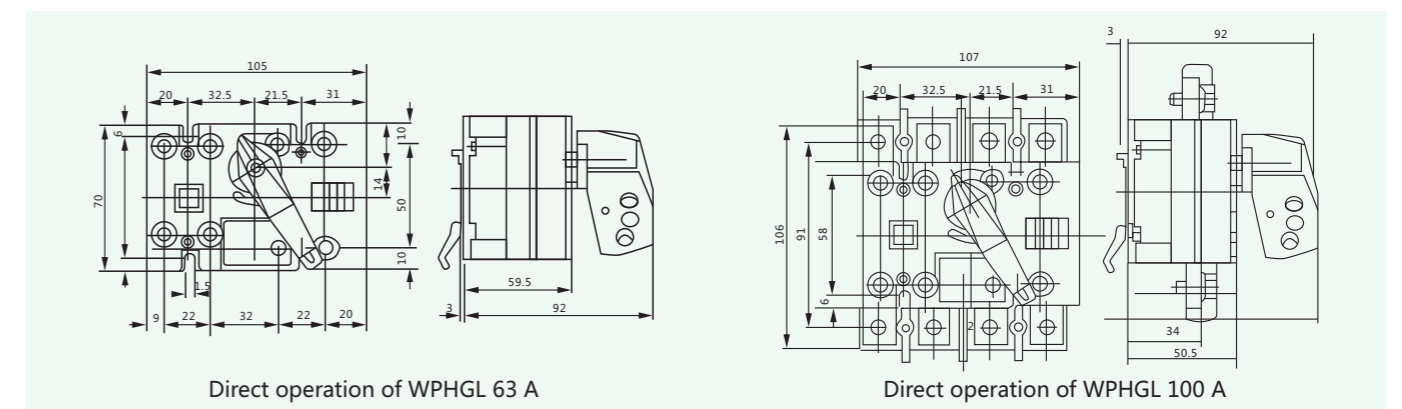
**Operation mode**

- 1、Direct operation:The handle is installed in the middle of the switch.
- 2、Operation outside the board:The handle is installed outside the door off distributing board.

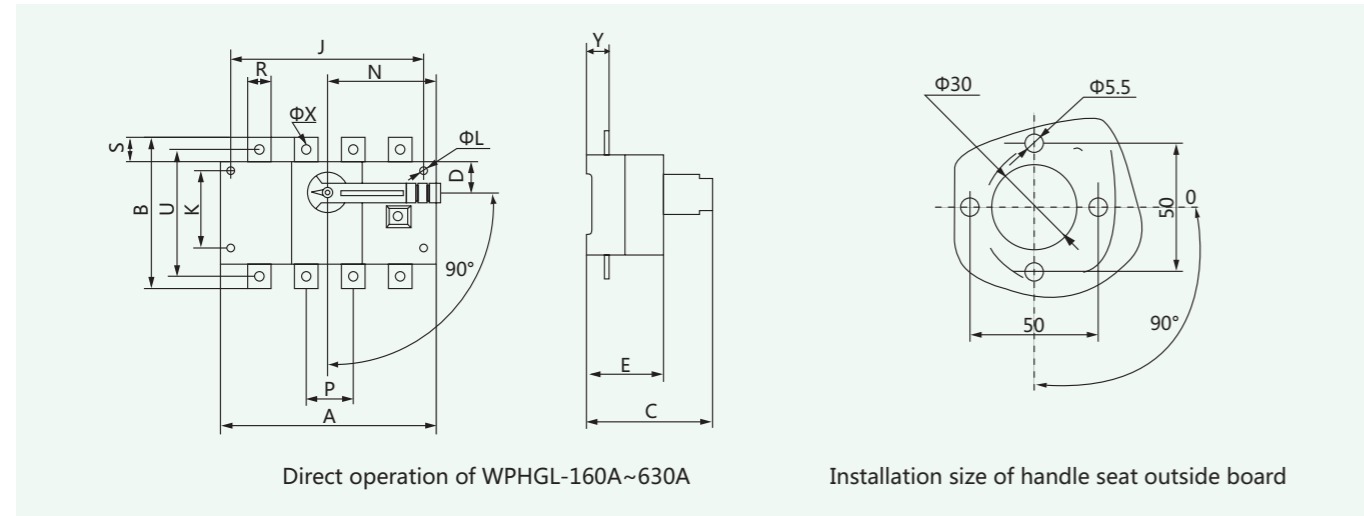


**Overall& Installation Dimension**

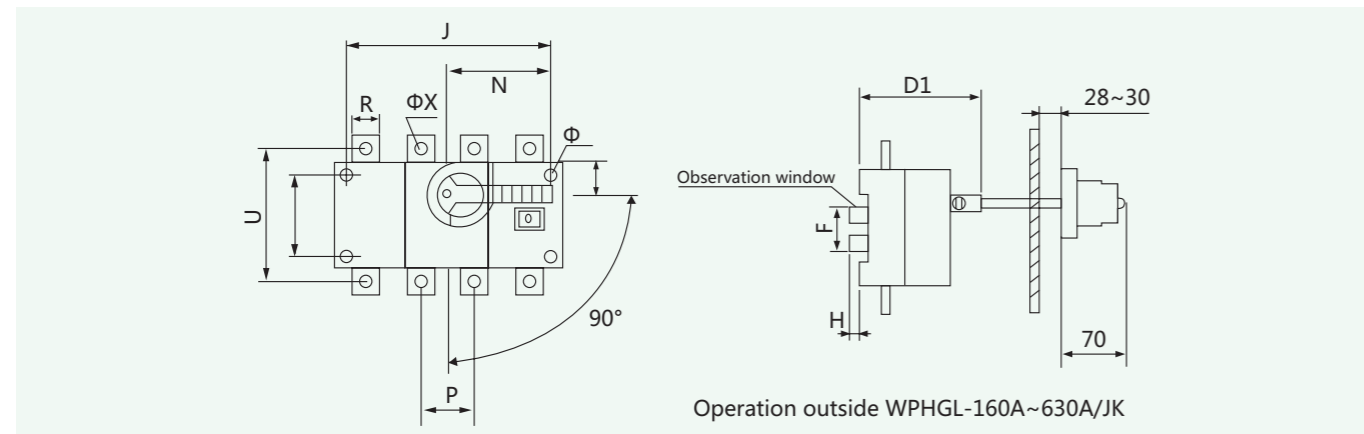
Load isolation switch side operation load isolation switch of WPHGL-63A~100A



External dimension and installation dimension of WPHGL-160A~630A load isolation switch

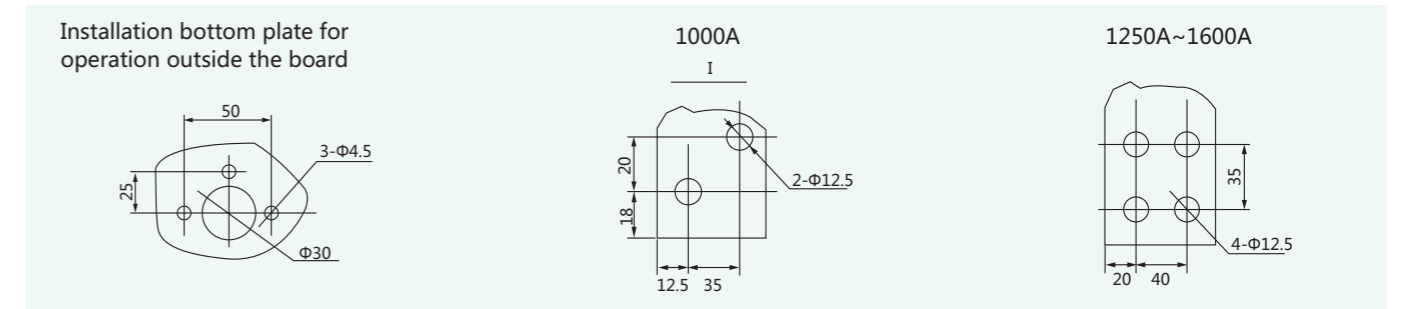
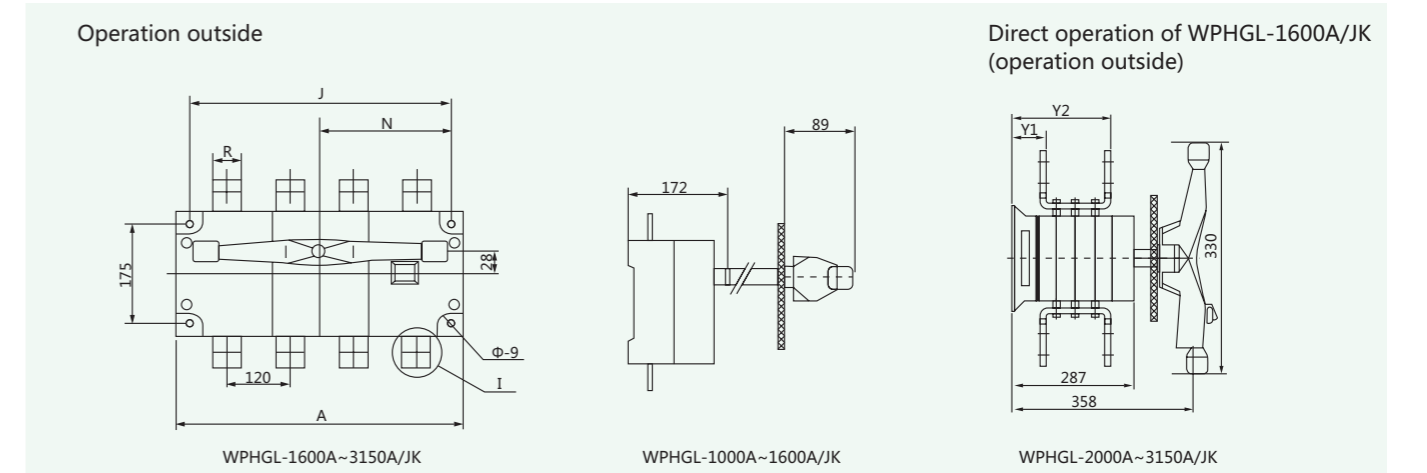
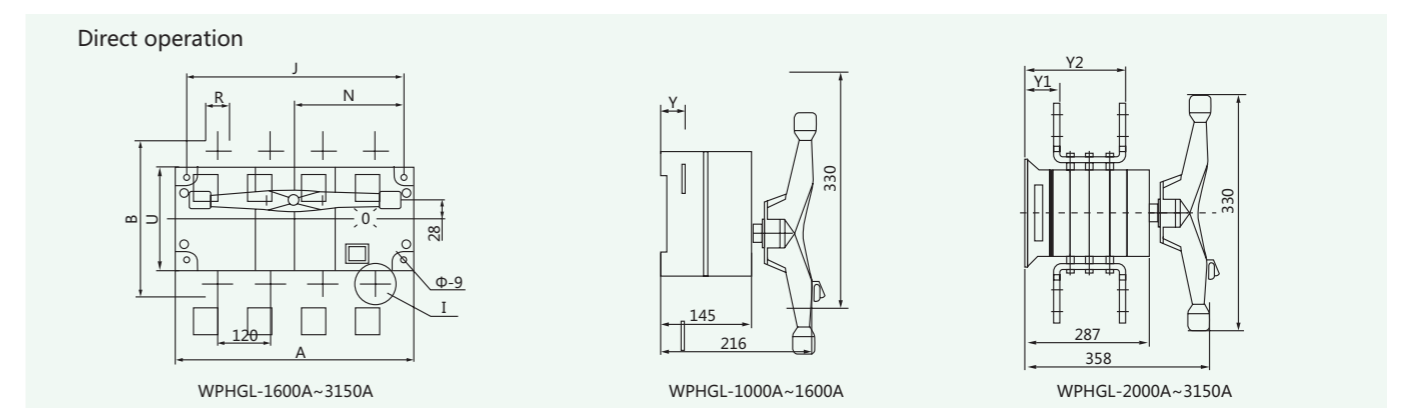


Overall& Installation Dimension



In	A	B	C	D	D1	E	ΦL	J	K	N	P	R	S	U	ΦX	Y	F	H
125A/3	140	135	121	27	93	71	5.5	120	65	75	36	20	25	115	9	24	50	10
125A/4	170	135	121	27	93	71	5.5	150	65	75	36	20	25	115	9	24	50	10
160A/3	140	135	121	27	93	71	5.5	120	65	75	36	20	25	115	9	24	50	10
160A/4	170	135	121	27	93	71	5.5	150	65	75	36	20	25	115	9	24	50	10
200A/3	180	170	144	35	104	84	5.5	160	90	105	50	25	30	140	11	25	79	15
200A/4	230	170	144	35	104	84	5.5	210	90	105	50	25	30	140	11	25	79	15
250A/3	180	170	144	35	104	84	5.5	160	90	105	50	25	30	140	11	25	79	15
250A/4	230	170	144	35	104	84	5.5	210	90	105	50	25	30	140	11	25	79	15
315A/3	230	240	179	50	137	115	7	210	140	135	65	32	40	206	11	37	95	20
315A/4	290	240	179	50	137	115	7	270	140	135	65	32	40	206	11	37	95	20
400A/3	230	240	179	50	137	115	7	210	140	135	65	32	40	206	11	37	95	20
400A/4	290	240	179	50	137	115	7	270	140	135	65	32	40	206	11	37	95	20
500A/3	230	260	179	50	137	115	7	210	140	135	65	40	50	220	13	37.5	95	20
500A/4	290	260	179	50	137	115	7	270	140	135	65	40	50	220	13	37.5	95	20
630A/3	230	260	179	50	137	115	7	210	140	135	65	40	50	220	13	37.5	95	20
630A/4	290	260	179	50	137	115	7	270	140	135	65	40	50	220	13	37.5	95	20

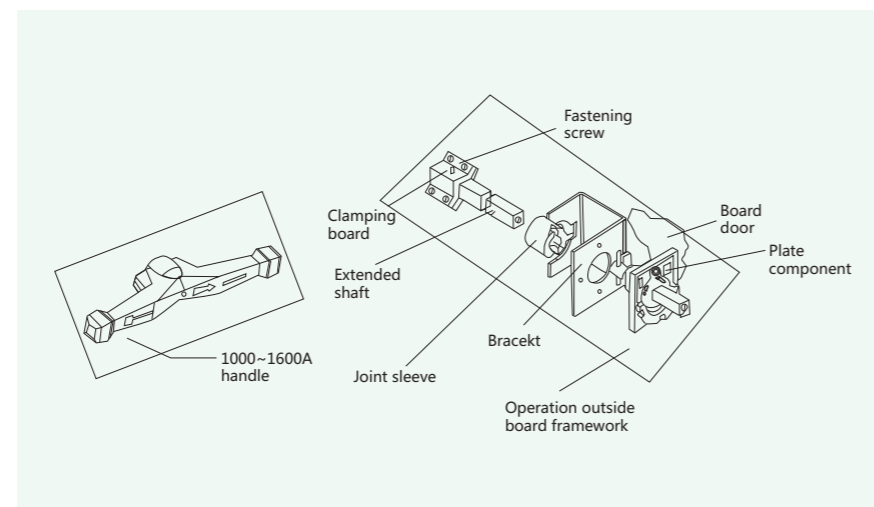
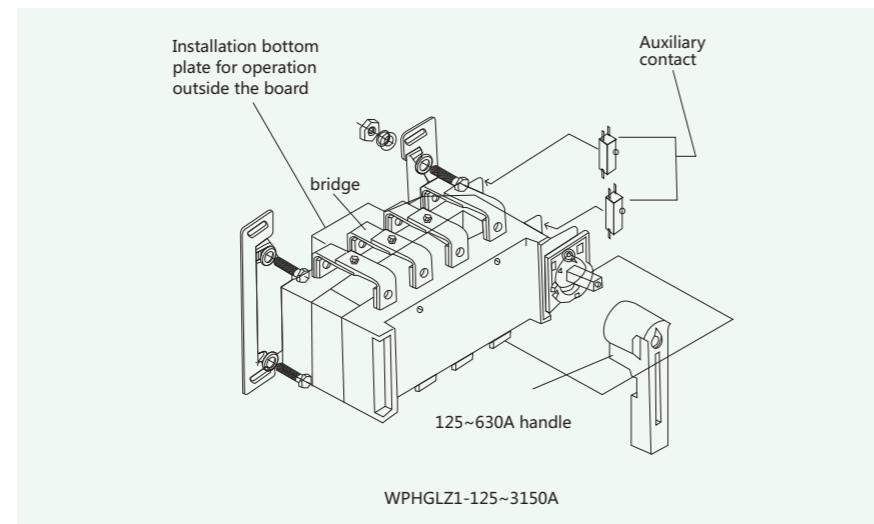
Load isolation switch side operation load isolation switch of WPHGL-1600A~3150A



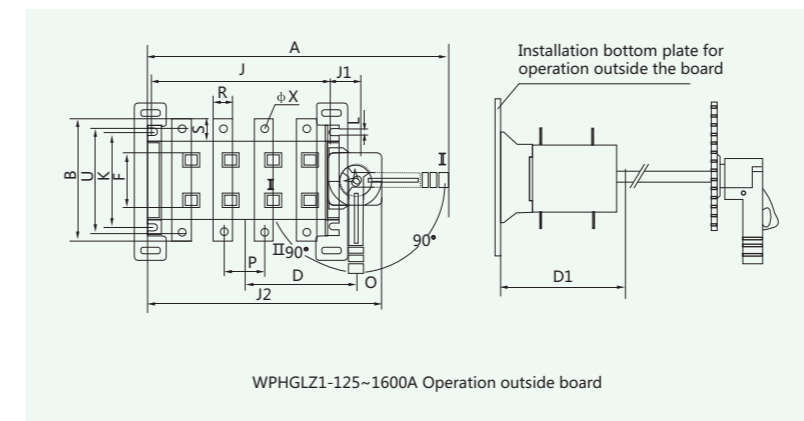
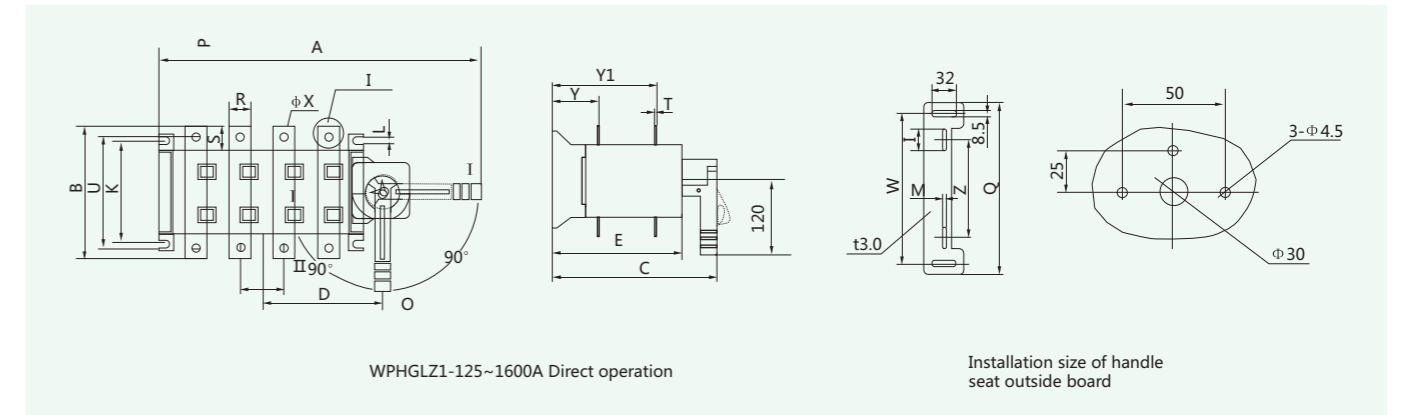
In	A	A1	B	J	N	R	U	Y	Y1	Y2
1000A/3	378	105	310	353	171	60	200	48		
1000A/4	498	105	310	473	231	60	200	48		
1250A/3	378	105	336	353	171	80	200	48		
1250A/4	498	105	336	473	231	80	200	48		
1600A/3	378	105	336	353	171	80	200	49		
1600A/4	498	105	336	473	231	80	200	49		
2000A/3	379		455	353	171	80	200		78.5	225.5
2000A/4	498		455	473	231	80	200		78.5	225.5
2500A/3	378		455	353	171	80	200		78.5	225.5
2500A/4	498		455	473	231	80	200		78.5	225.5
3150A/3	378		505	353	171	120	200		78.5	227
3150A/4	498		505	473	231	120	200		78.5	227

**General**

1. WPLZ1-125-3150A is suitable for switching two low-voltage circuits or transforming and safely isolating two load devices
2. Operating mode:  
Direct operate: handle is installed on the switch  
Operation outside the cabinet: handle is installed outside of distribution cabinet door
3. 3P,4P(3P+breakable neutral pole)
4. It can be used for outside-cabinet operation with long axis
5. Two auxiliary contacts can be installed if needed
6. Electrical performance and mechanical performance is as same as WPHGL-125-3150A correspondingly
7. Provide bridge type connecting conductors connected with output terminal or input terminal of switch  
PS: when using bridge type connection, please instruct if it applies to the line end or the outlet end

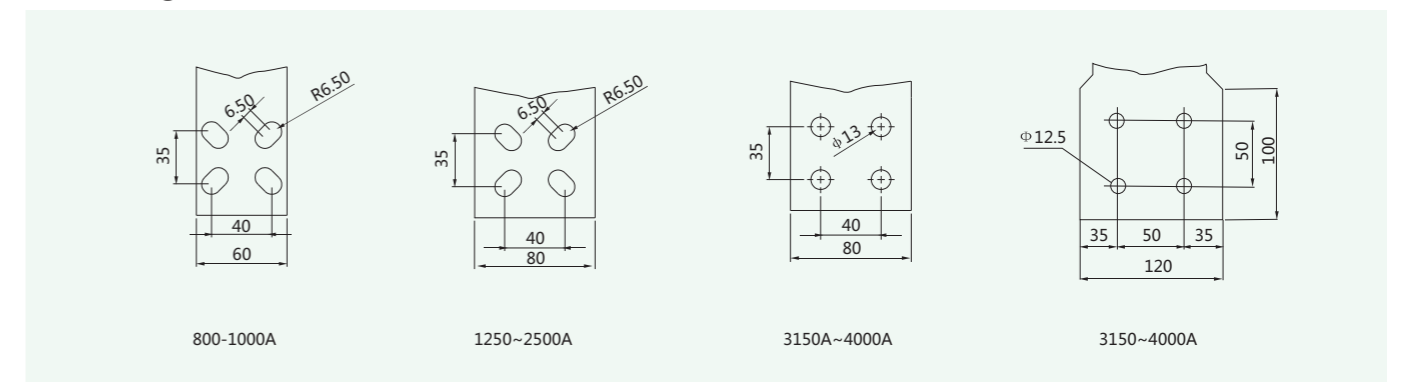


**WPHGLZ1-125~630A Outline and installation dimensions**



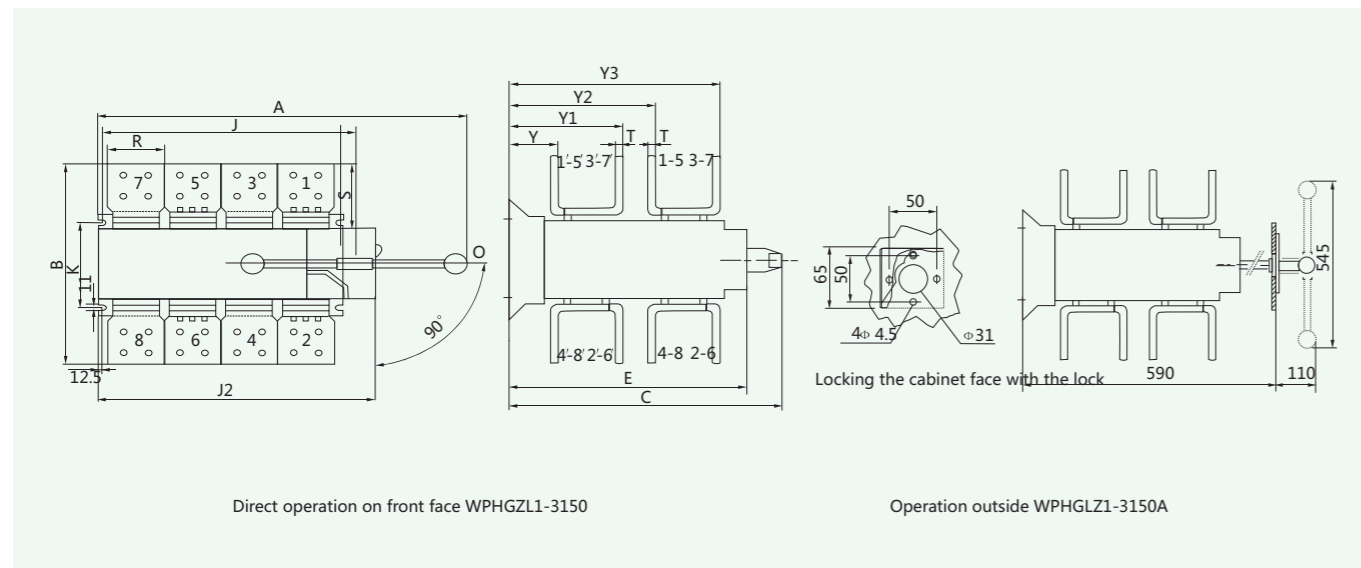
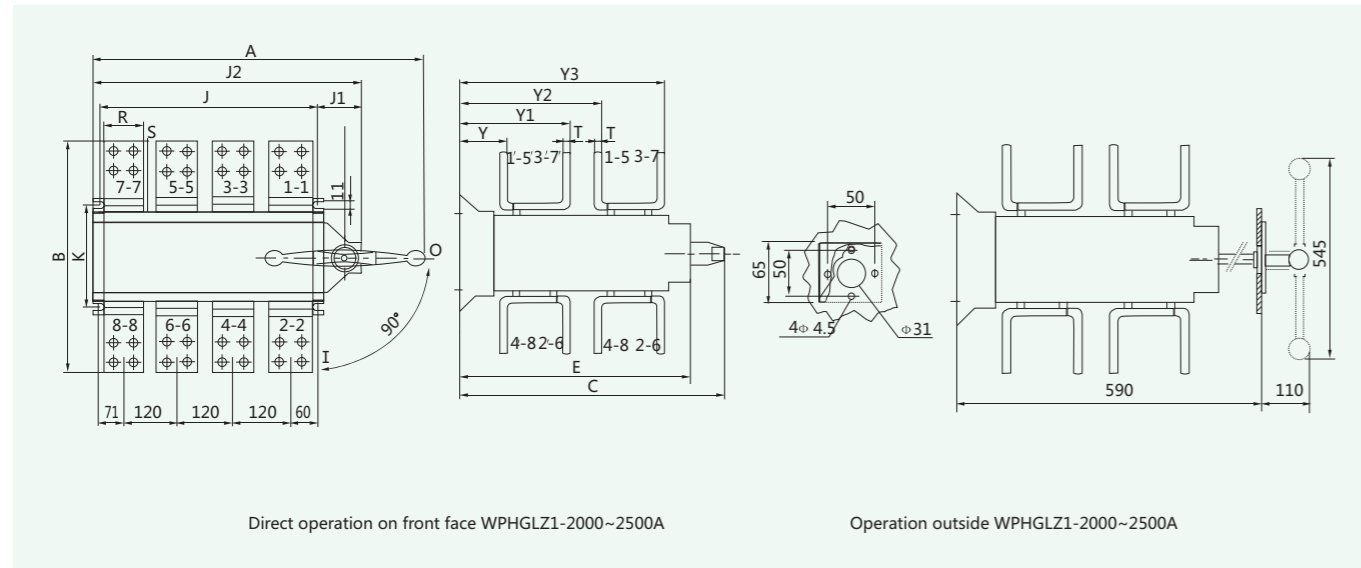
Specification	Dimension of Bottom Board				
	I	M	Z	W	Q
WPHGLZ1-125A	55	6.5	95	216	244
WPHGLZ1-160A	55	6.5	95	216	244
WPHGLZ1-200A	55	6.5	116	216	244
WPHGLZ1-250A	55	6.5	116	216	244
WPHGLZ1-315-400A	60	8.5	180	280	311
WPHGLZ1-500-630A	60	8.5	180	280	311
WPHGLZ1-1000-1600A	60	8.5	180	280	311

**Connecting terminal**



Specification	External Dimension and Installation Dimension																			
	A	B	C	D	D1	E	J	J1	J2	K	L	P	R	S	T	U	ΦX	Y	Y1	F
WPHGLZ1-125A-160A/3	300	135	228	89	190	160	120	37	195	95	7	36	20	25	3.5	115	9	55.5	126.5	49
WPHGLZ1-125A-160A/4	330	135	228	104	190	160	150	37	225	95	7	36	20	25	3.5	115	9	55.5	127.5	49
WPHGLZ1-200A-250A/3	340	165	250	110	215	180	160	37	235	115	9	50	25	28	3.5	140	10.5	63	145	76
WPHGLZ1-200A-250A/4	390	165	250	135	218	180	210	37	285	115	9	50	25	28	3.5	140	10.5	63	147	76
WPHGLZ1-315A-400A/3	410	234	340	150	278	241	211	44.5	198	175	10	65	32	37	5	205	10.5	83	193	94
WPHGLZ1-315A-400A/4	470	234	340	180	278	241	270	44.5	358	175	10	65	32	37	5	205	10.5	83	193	94
WPHGLZ1-500A-630A/3	410	250	340	150	278	241	211	44.5	298	175	10	65	40	45	6	215	12.5	83.5	193.5	94
WPHGLZ1-500A-630A/4	470	250	340	180	278	241	270	44.5	358	175	10	65	40	45	6	215	12.5	83.5	193.5	94

WPHGLZ1-1000~3150A Outline and installation dimensions



Specification	External Dimension and Installation Dimension																
	A	B	C	E	J	J1	J2	K	P	R	S	T	?X	Y	Y1	Y2	Y3
WPHGLZ1-1000A/3	590	328	390	300	354	53	450	220	120	60	64	8	12.5	110	259		
WPHGLZ1-1000A/4	704	328	390	300	467	53	565	220	120	60	64	8	12.5	110	259		
WPHGLZ1-1250A/3	590	336	390	300	354	53	450	220	120	80	68	8	12.5	110	259		
WPHGLZ1-1250A/4	704	336	390	300	467	53	565	220	120	80	68	8	12.5	110	259		
WPHGLZ1-1600A/3	590	336	390	300	354	53	450	220	120	80	68	10	12.5	111	260		
WPHGLZ1-1600A/4	704	336	390	300	467	53	565	220	120	80	68	10	12.5	111	260		
WPHGLZ1-2000A/3	590	450	568	475	352	53	450	220	120	80	125	10	12.5	100.5	208.5	336.5	444.5
WPHGLZ1-2000A/4	704	450	568	475	467	53	565	220	120	80	125	10	12.5	100.5	208.5	336.5	444.5
WPHGLZ1-2500A/3	594	450	568	475	352	53	450	220	120	80	125	10	12.5	100.5	208.5	336.5	444.5
WPHGLZ1-2500A/4	704	450	568	475	467	53	565	220	120	80	125	10	12.5	100.5	208.5	336.5	444.5
WPHGLZ1-3150A/3	590	494	568	475	352	53	450	220	120	120	147	12	12.5	102.5	208.5	338.5	444.5
WPHGLZ1-3150A/4	704	494	568	475	467	53	565	220	120	120	147	12	12.5	102.5	208.5	338.5	444.5